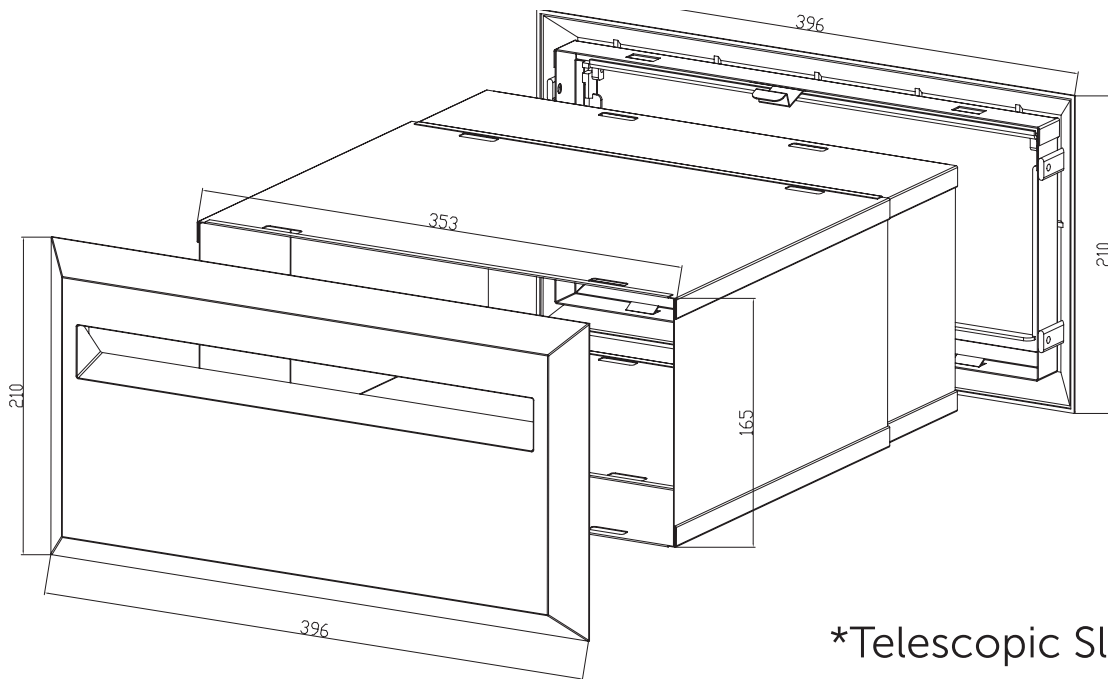


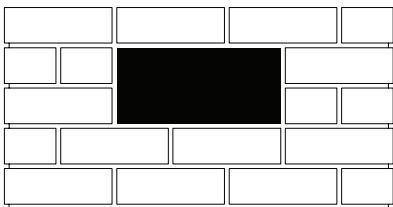
Brickies

A4 Rear Opening Set

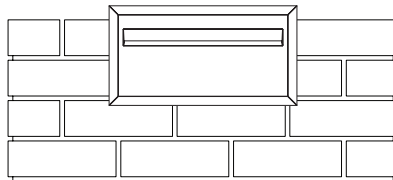
Instructions



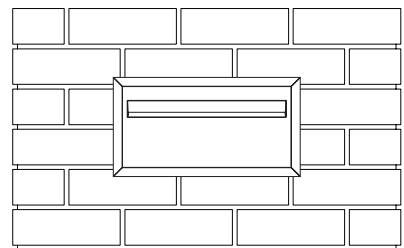
*Telescopic Sleeve



**SLEEVE FITS INTO
1.5 BRICK WIDE BY
2 BRICK HIGH CAVITY**



Build up brickwork to
desired height and set
letterbox in place



Complete remaining
brickwork